

Farmhouse Ceramic Sink

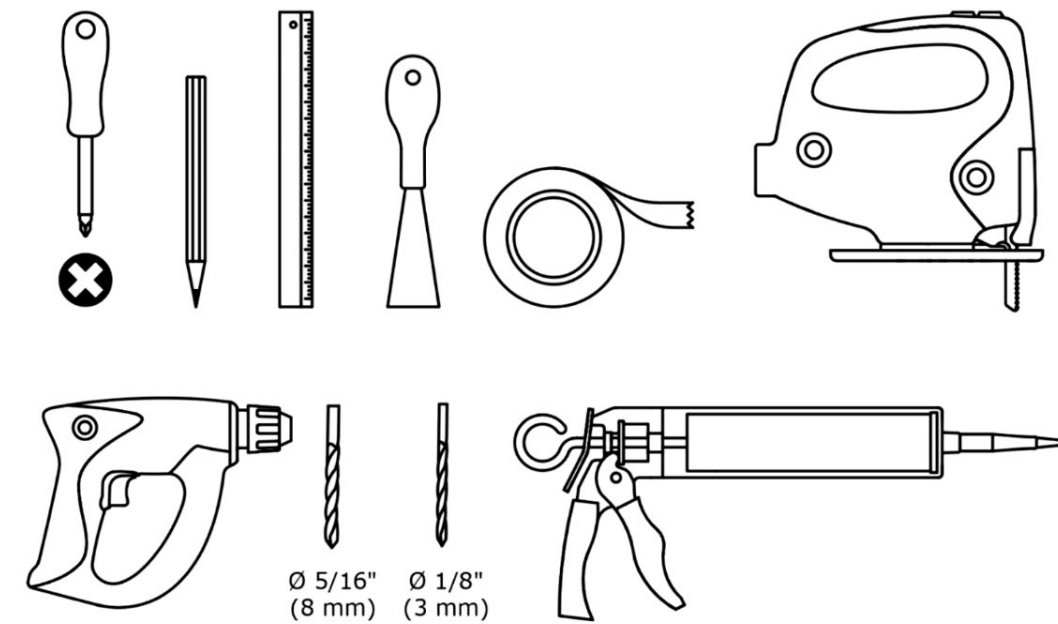


INSTALLATION INSTRUCTIONS

Farmhouse Ceramic Sink

INSTALLATION INSTRUCTIONS

Recommended Tools:

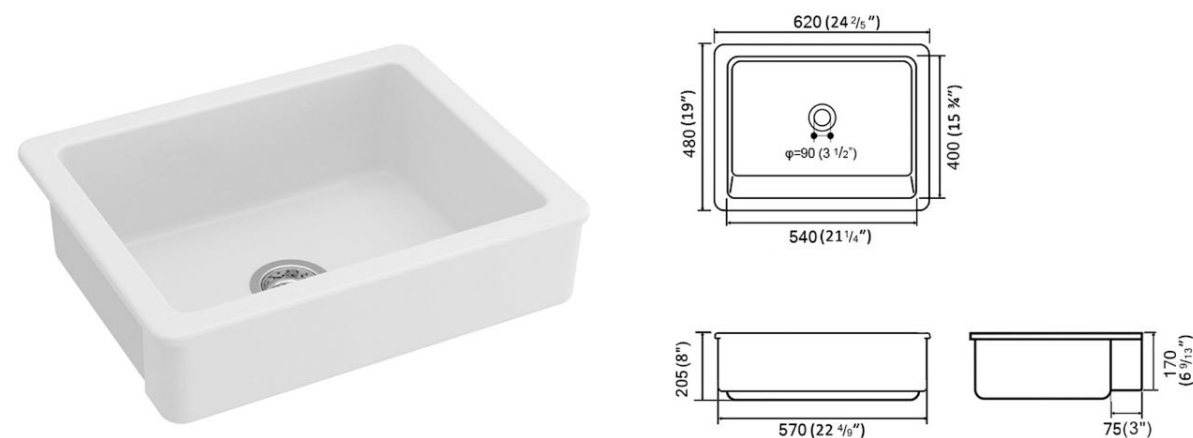


Pre-Install:

Measure the exact dimensions of your sink. Measure the width from the front top left corner to the front top right corner to get the full width of the sink. Measure the depth from the front center to the back center. Make sure these 2 measurements are larger than the countertop cut measurements.

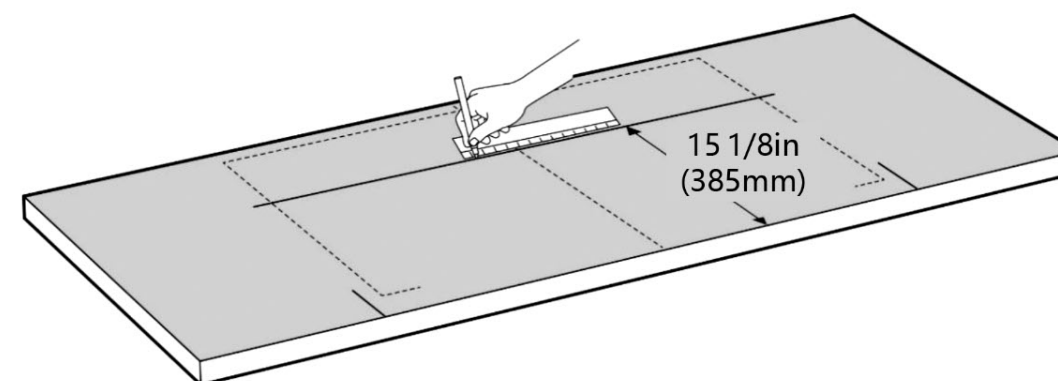
IMPORTANT We recommend consulting a professional if you are unfamiliar with installing kitchen fixtures and plumbing.

Model No.DL01-620

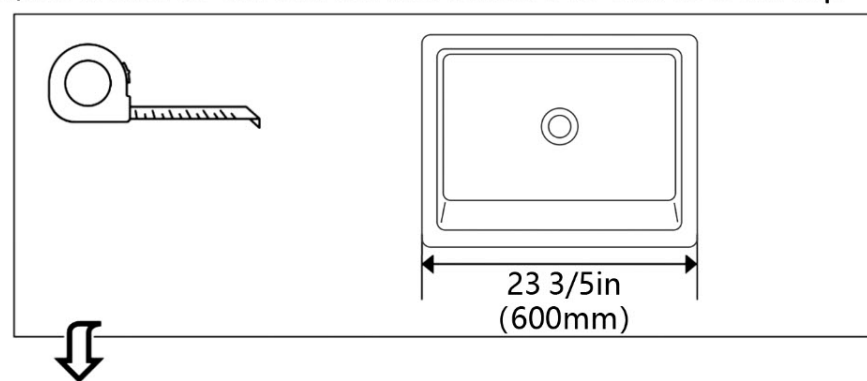


Step 2:

Mark 15 1/8in depth (front to back) to cut out on the bottom of the countertop.

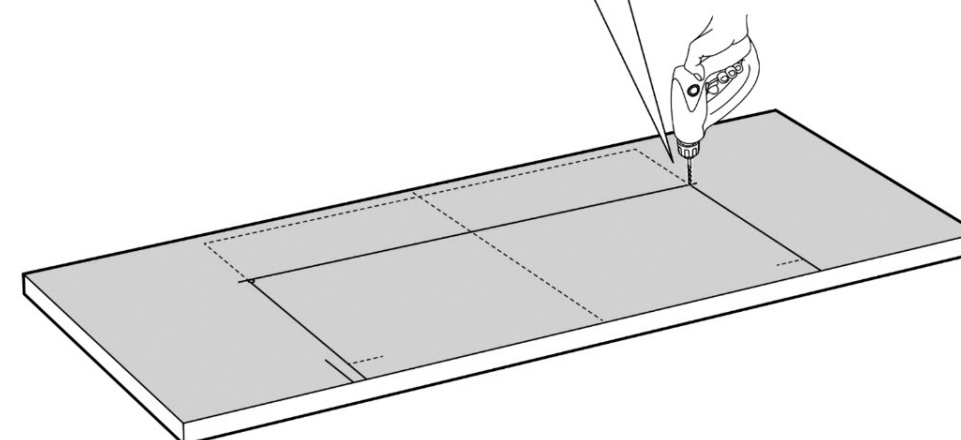
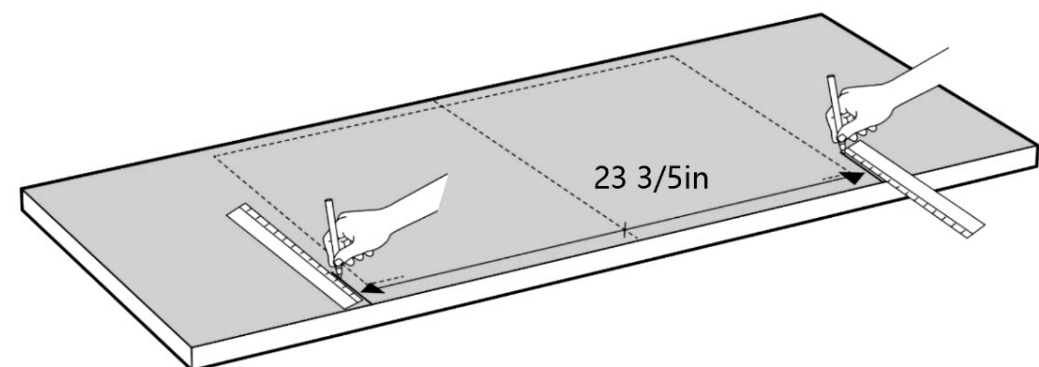
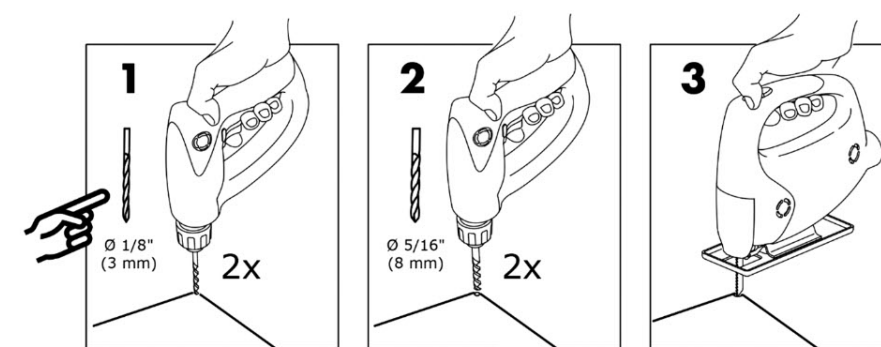


Mark 23 3/5in width to cut out on the bottom of the countertop



Step 3:

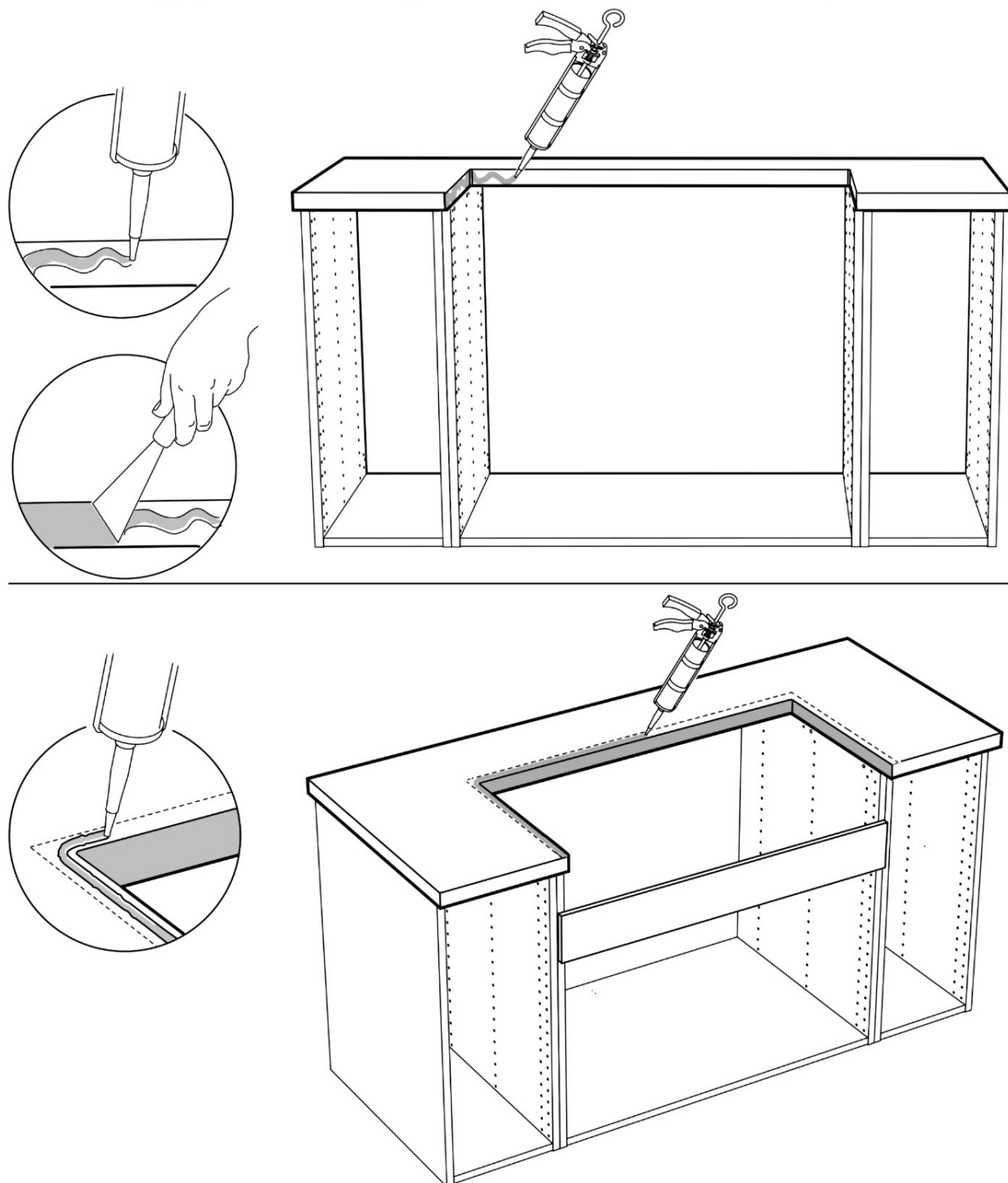
For laminate countertops only, drill pilot holes in the two back corners of the countertop cut area, then use a saw to cut the countertop. For other countertop materials refer to your fabricator or manufacturer's suggested cutting instructions.



IMPORTANT Due to the nature of ceramics, each sink dimensions may vary slightly. Make sure your physical sink width is wider than the cut countertop width of 23 3/5in.

Step 4:

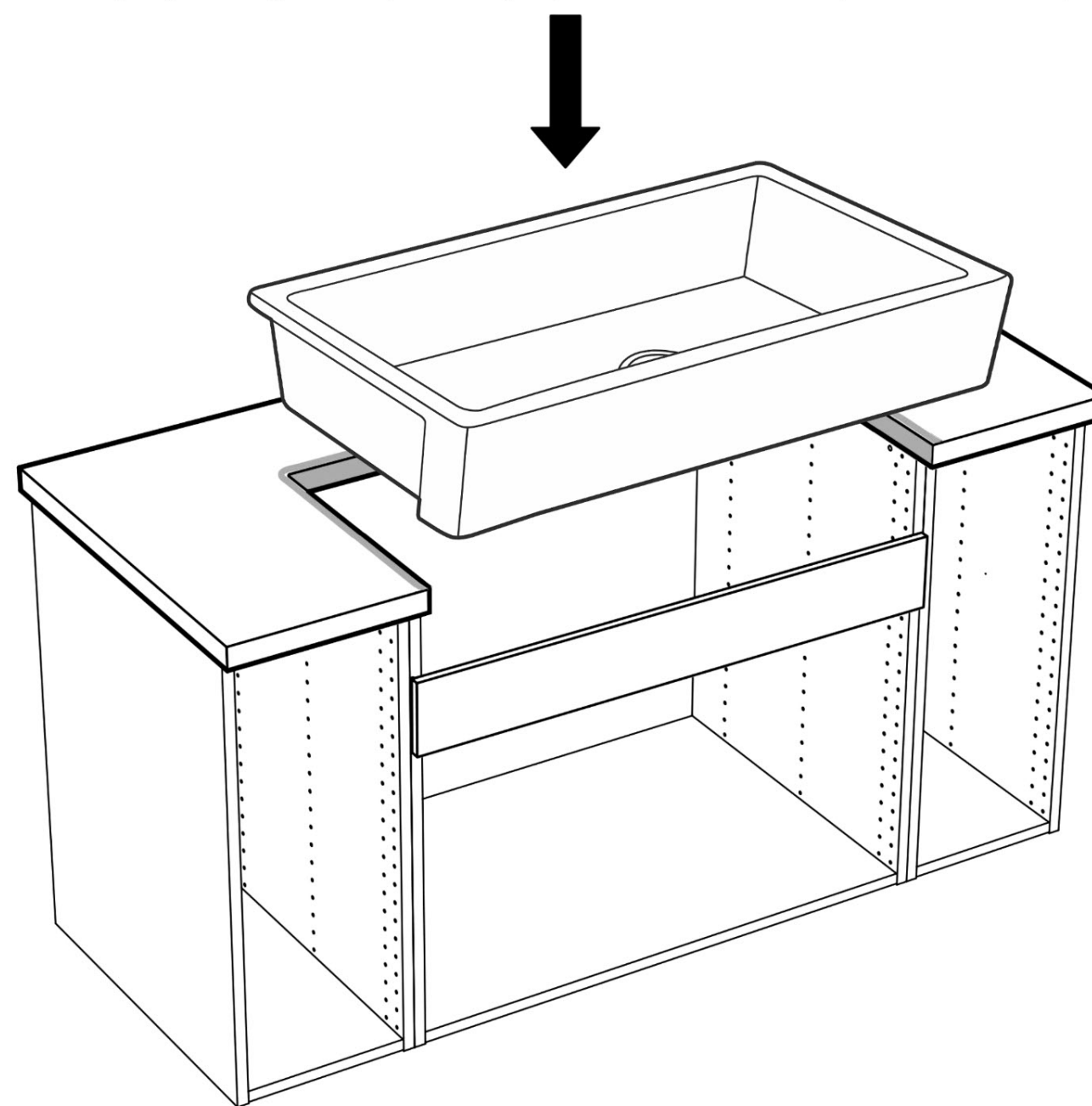
Apply silicone to all edges that sink touches the countertop.



IMPORTANT To prevent water leaking into the countertop, sink must be installed with all three cut edges sealed with silicone. Silicone is not included.

Step 5:

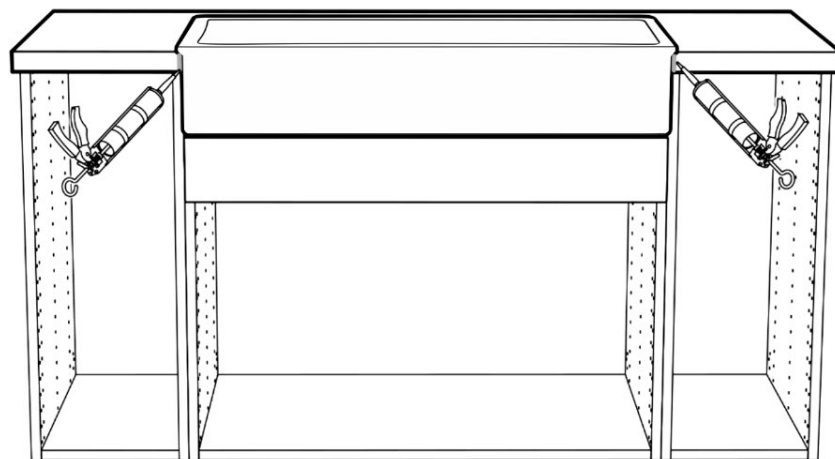
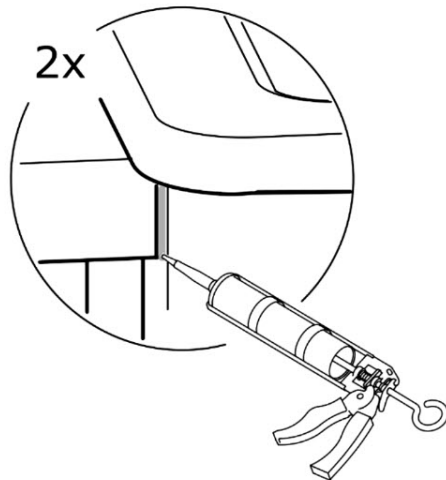
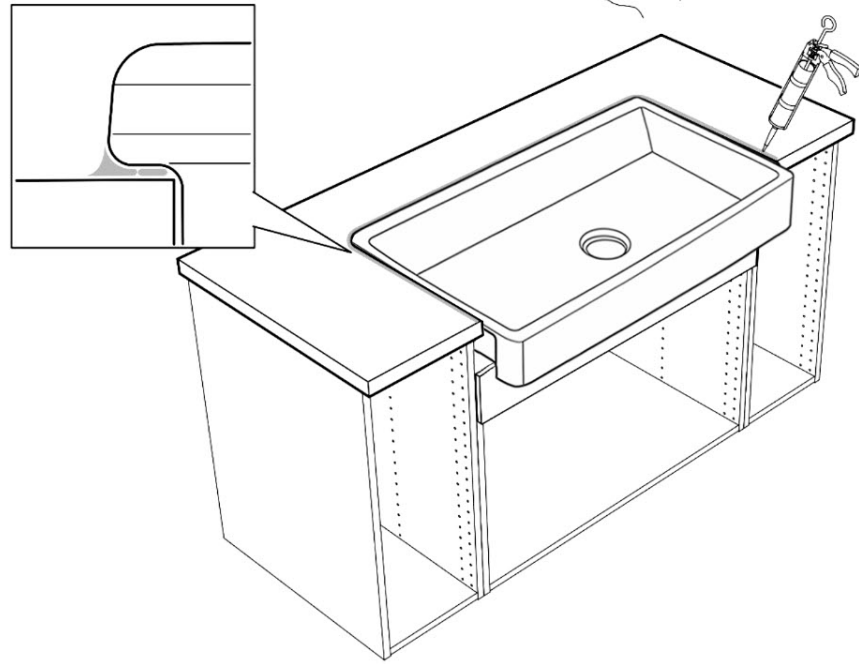
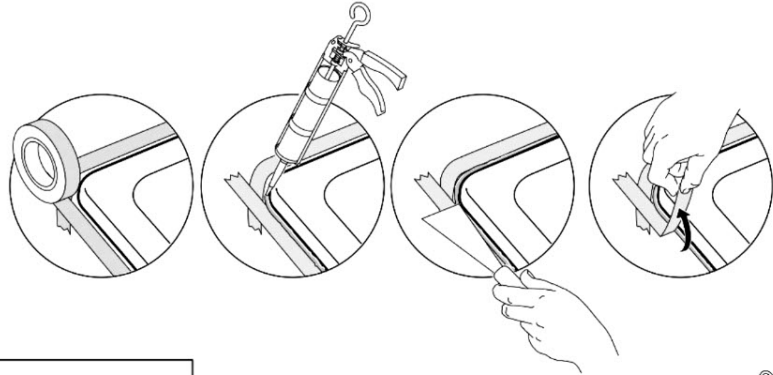
With 2 people using caution, carefully top mount the sink into precut countertop.



IMPORTANT Take care when handling ceramic sinks as they are very heavy

Step 6:

Apply additional silicone to seal up all edges around the sink.



Ceramic farmhouse kitchen sink

INSTALLATION INSTRUCTIONS

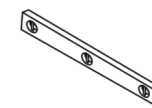
Due to the manufacturing process, each sink will vary slightly dimensionally. Farmhouse sinks may require custom cabinetry. We recommend consulting an experienced cabinet maker for assistance.

Providing the cabinet maker with the actual sink to be installed will ensure a custom fit. Please use assistance when lifting the sink in order to avoid personal injury.

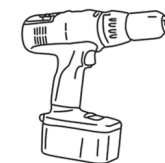
We recommend consulting a professional if you are unfamiliar with installing kitchen fixtures and plumbing. We accept no liability for any damages to the floor, walls, plumbing or personal injury during installation.

We recommend undermount sink installation. Flush-mount and built-up installation are not recommended. Ensure there is adequate room for the faucet and backsplash installations.

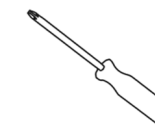
SUGGESTED TOOLS&MATERIALS:



Level



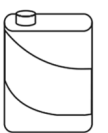
Drill



Screwdrivers



Jig Saw/
Hacksaw



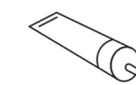
Acetone



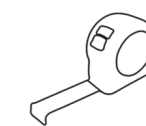
Safety
Glasses



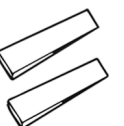
Pencil



Adhesive



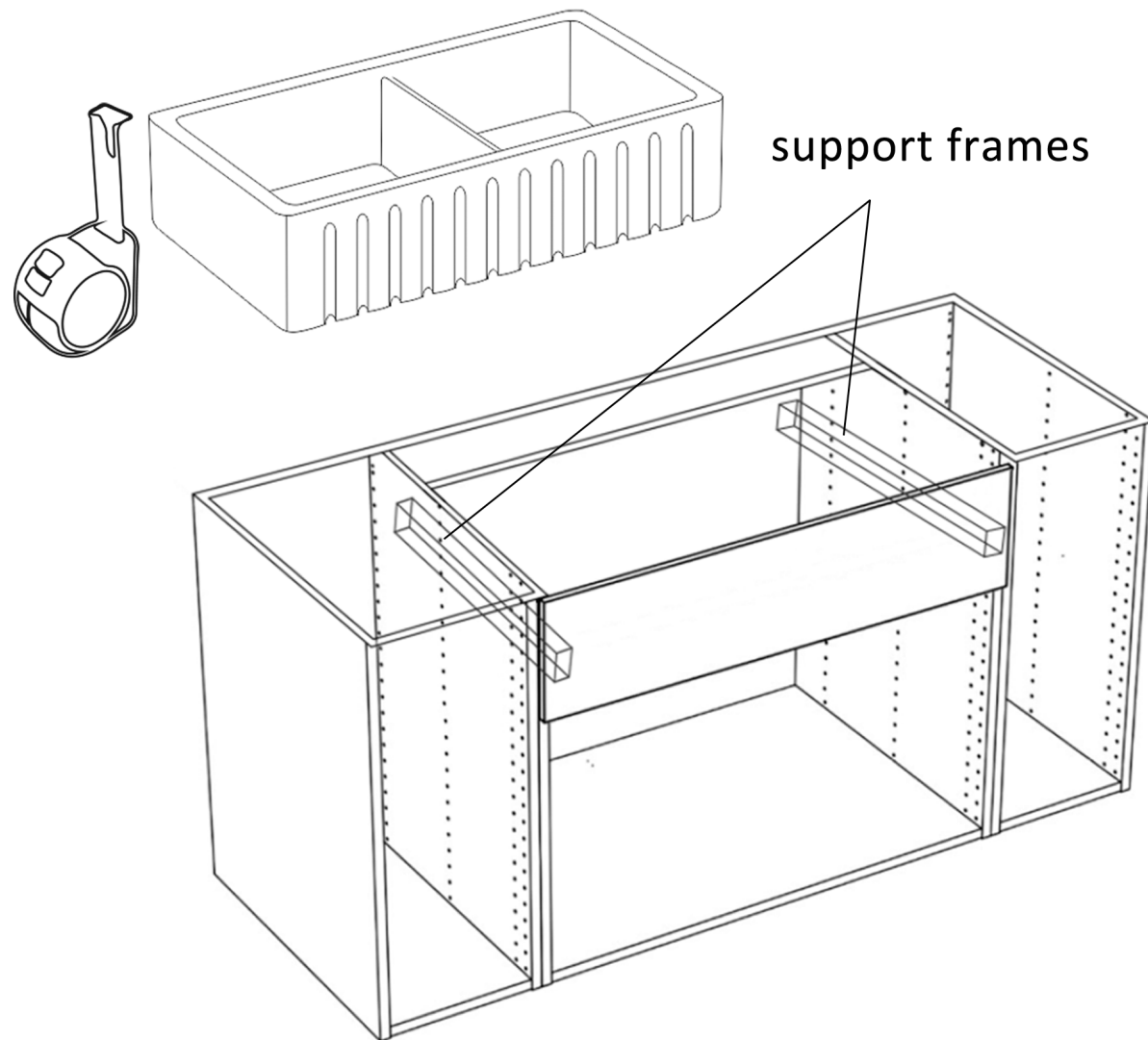
Tape
Measure



Shims

1. Measure & Assemble Supports

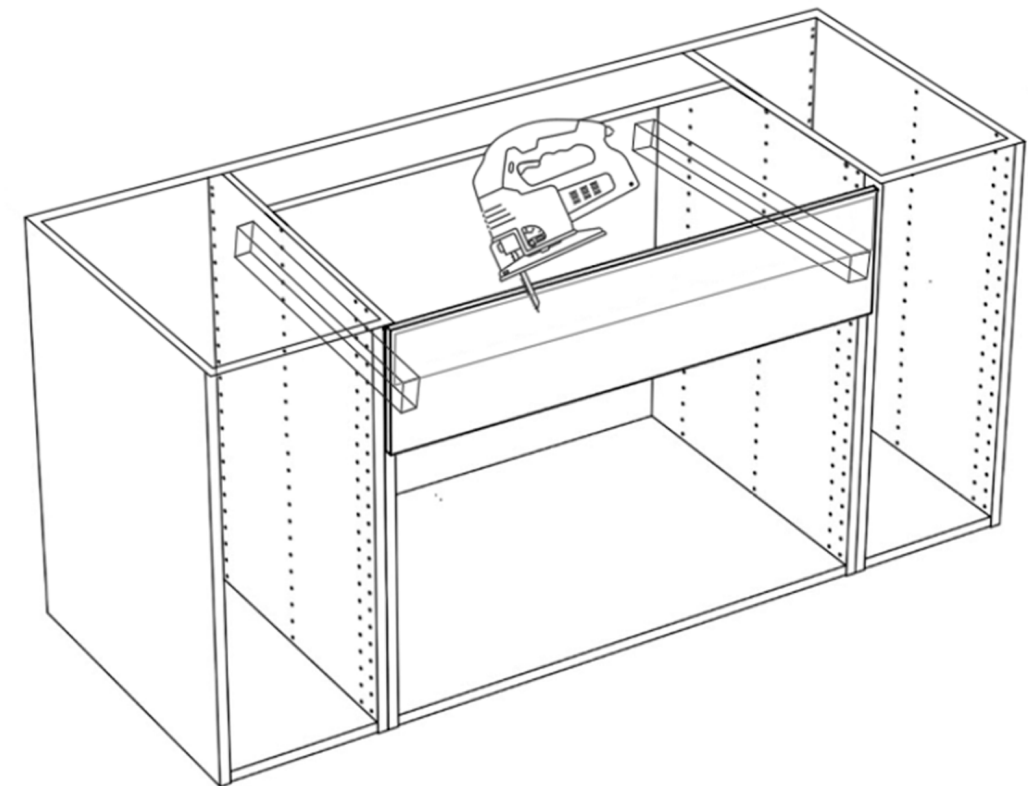
- Measure actual height of the apron.
- Build support frames on the inside of cabinet based on sink measurements.



2. Cut Front of Cabinet

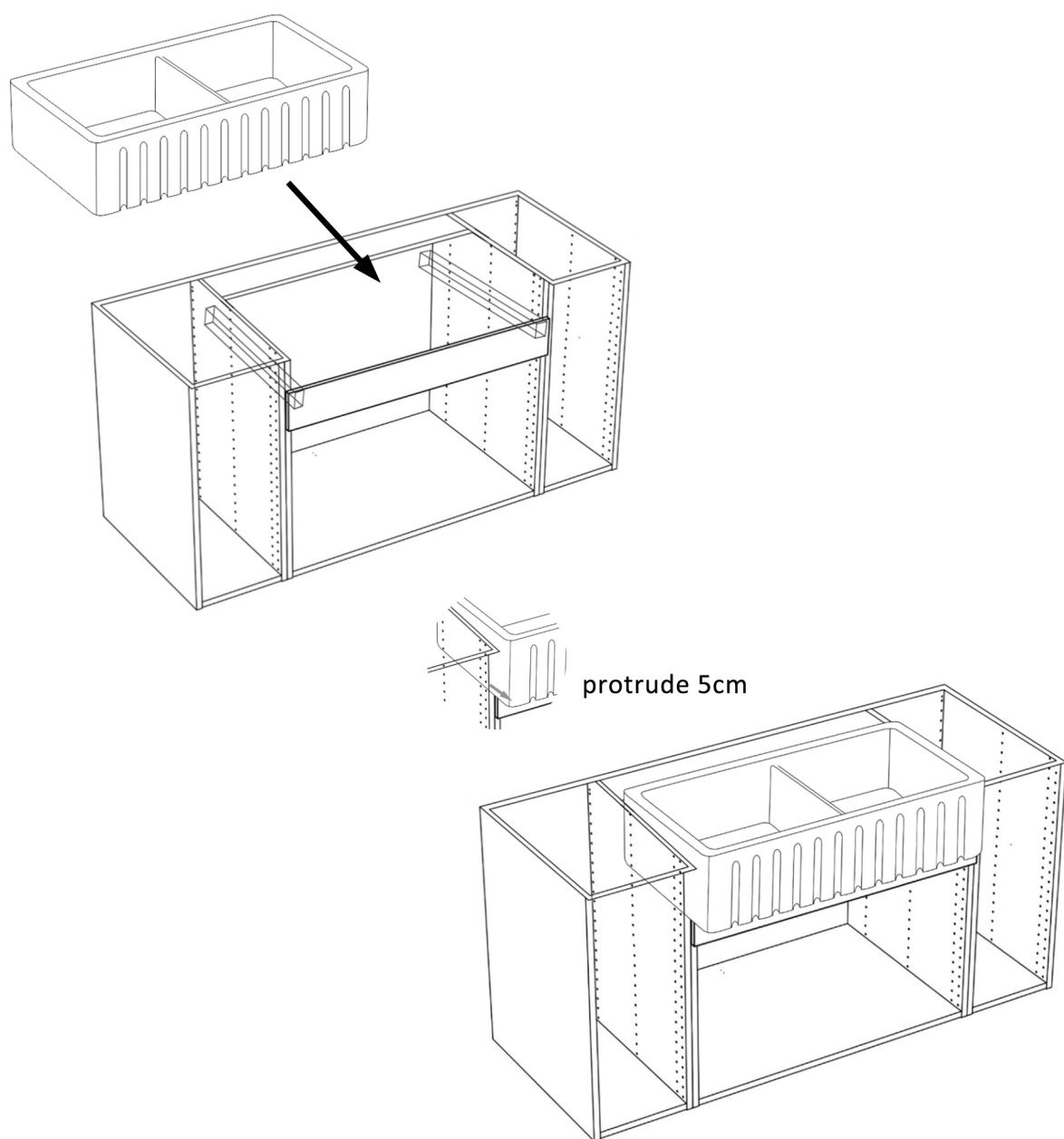
- Measure the height of the front apron and add 1/16" to the dimensions when marking the cabinet front cutting location.
- Use saw to cut the cabinet.

NOTE: Always wear protective gear when using dangerous materials.



3. Install Sink

- Carefully place sink into the opening. The weight of sink should be sustained by the pre-built support frames.
- Verify sink is leveled from side to side and front to back using a level. Use shims, if needed, to level sink.
- The apron of the sink needs to protrude 5 cm.
- Use sealant to seal any gaps where required.



4. Install Countertop & Plumbing

- Use a bead of silicone or preferred adhesive around the rim of the sink.
- Verify the alignment of the sink to the cutout countertop. Align cut countertop hole over the sink and press firmly.
- Connect drain trap to drain, and water supply connections to the faucet according to manufacturer's instructions.
- Run water and check for leaks

